

4

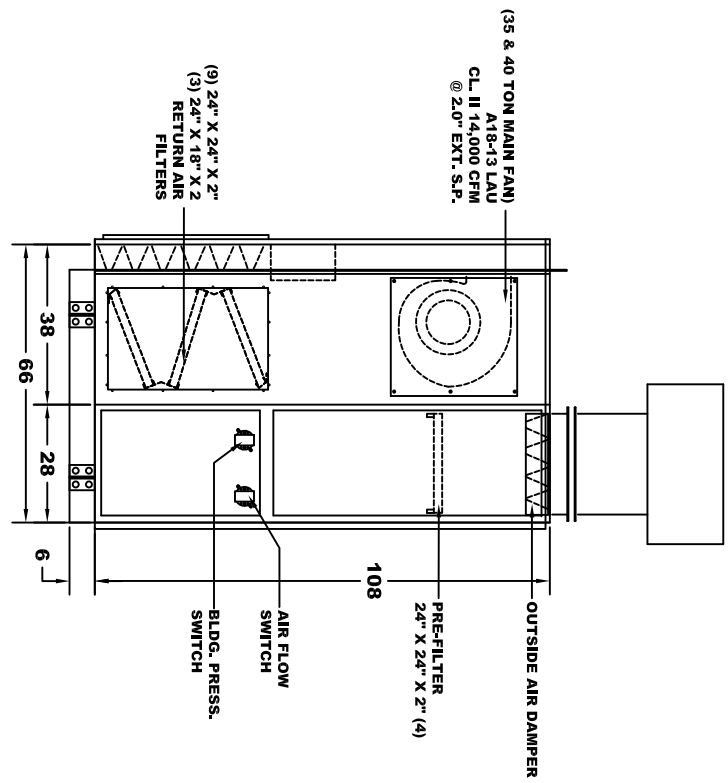
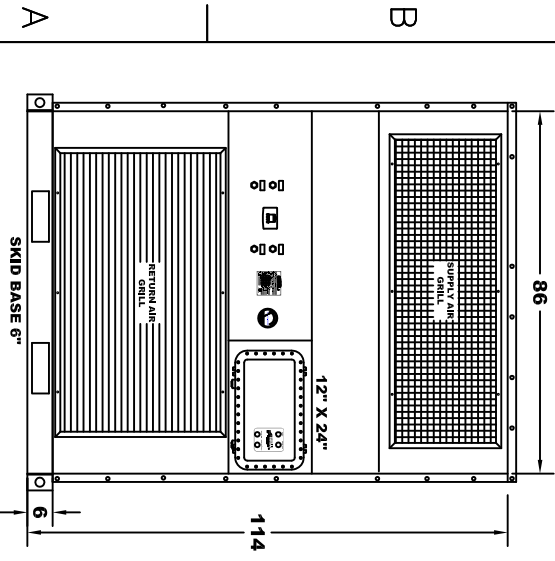
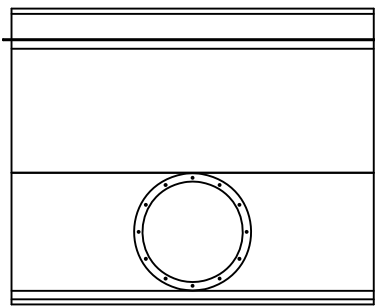
3

2

1

REVISIONS

ZONE	REV.	DESCRIPTION	DATE	APPR.



4

3

2

1

DRAWING STATUS
ISSUED FOR APPROVAL
FOR CONSTRUCTION
AS BUILT



TITLE:
PPU 14000

SCALE:	DRAWN BY:	P.O.#:
DATE:	CHK'D:	JOB#:
10/20/14	PPU 14000	PPU 14000-02
REV:	DWG#:	
	PPU 14000-02	

THIS DOCUMENT CONTAINS CONFIDENTIAL PROPRIETARY INFORMATION OF SPECIFIC SYSTEMS, INC. ANY REPRODUCTION, DISTRIBUTION, OR DISCLOSURE OF THIS DOCUMENT TO ANY UNAUTHORIZED PERSONS WITHOUT THE EXPRESS WRITTEN PERMISSION OF SPECIFIC SYSTEMS, INC. IS STRICTLY PROHIBITED. ALL RIGHTS OF INVENTION ARE RESERVED TO SPECIFIC SYSTEMS, INC.